



Handles for
switch
disconnecter
GAX6

Product designation

Product type designation

Mechanical features

Weight g 73

UL technical data

UL Standard UL60947-4-1

Ambient conditions

Operating temperature

min	°C	-25
max	°C	+55

Storage temperature

min	°C	-40
max	°C	+70

Max altitude

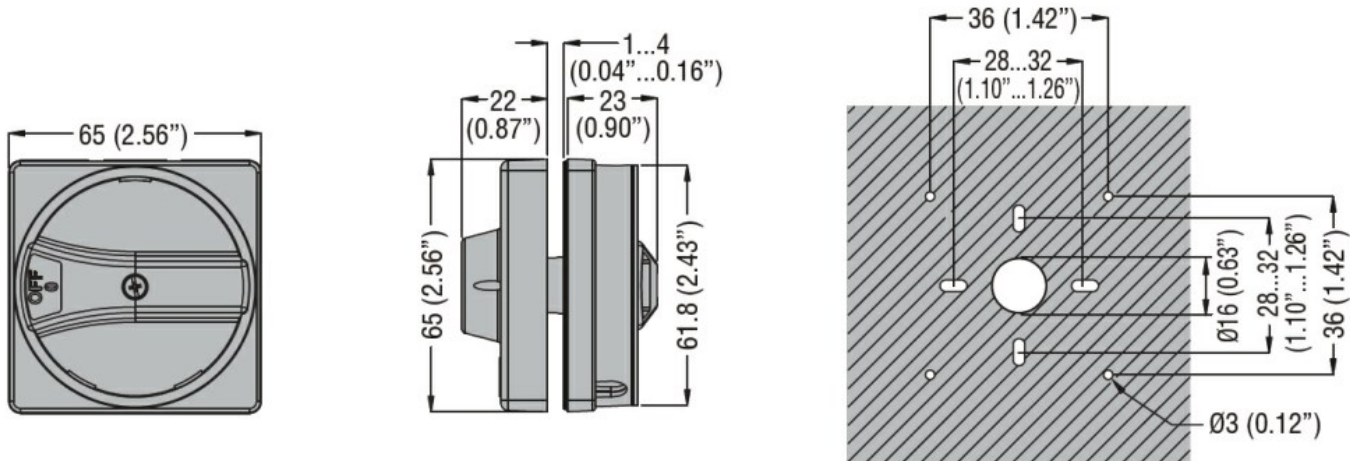
m 3000

Resistance & Protection

Frontal IP degree IP65

Pollution degree 3

Dimensions



Certifications and compliance

Compliance

CSA C22.2

IEC/EN 60947-1

IEC/EN 60947-3

UL508

UL98

Certifications

CCC

cULus according to UL508 / CSA C22.2 n°14

cULus according to UL98 / CSA C22.2 n°4

EAC

ETIM classification

ETIM 8.0

EC000230 -
Door coupling
handle for
switchgear